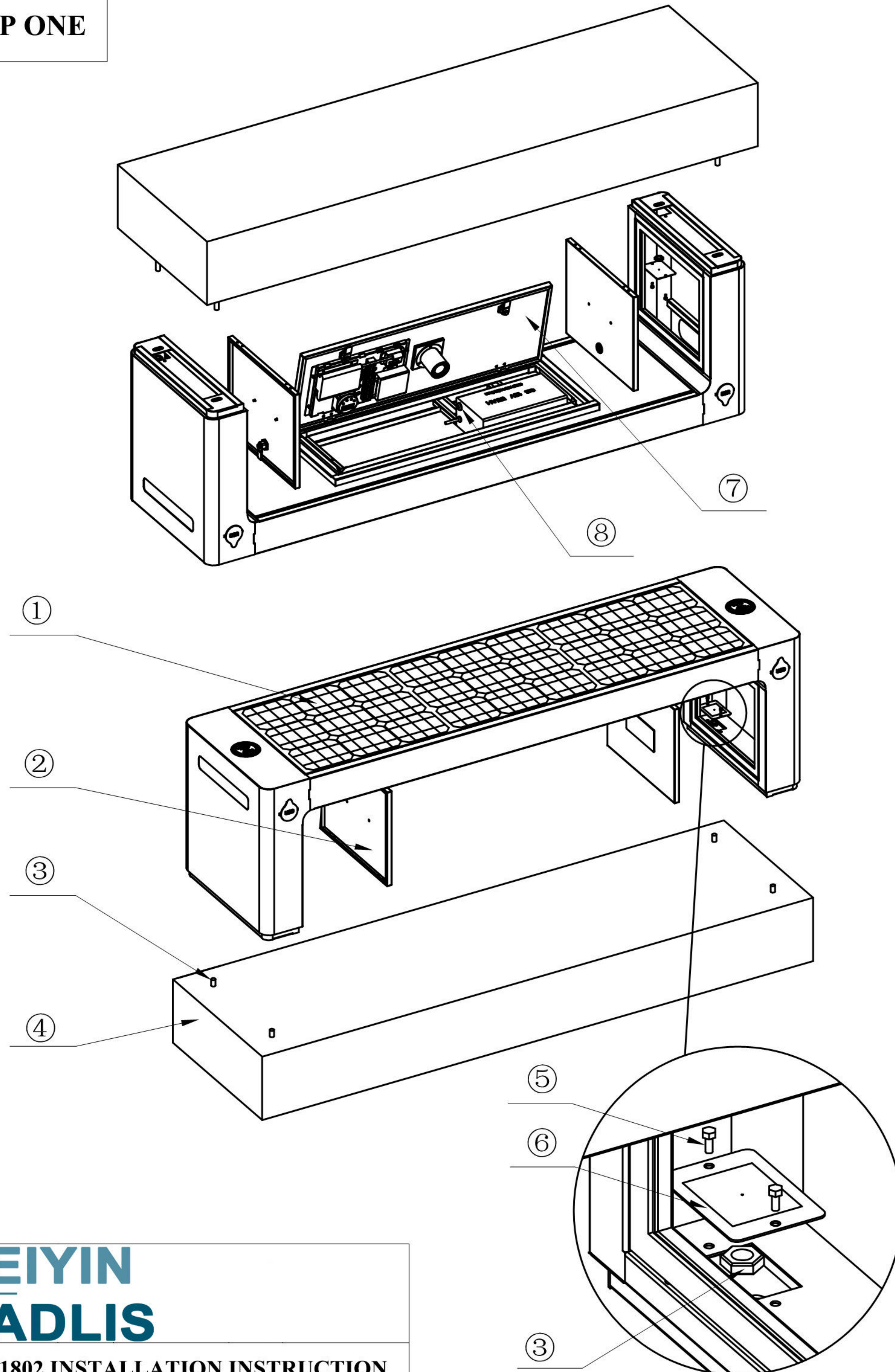
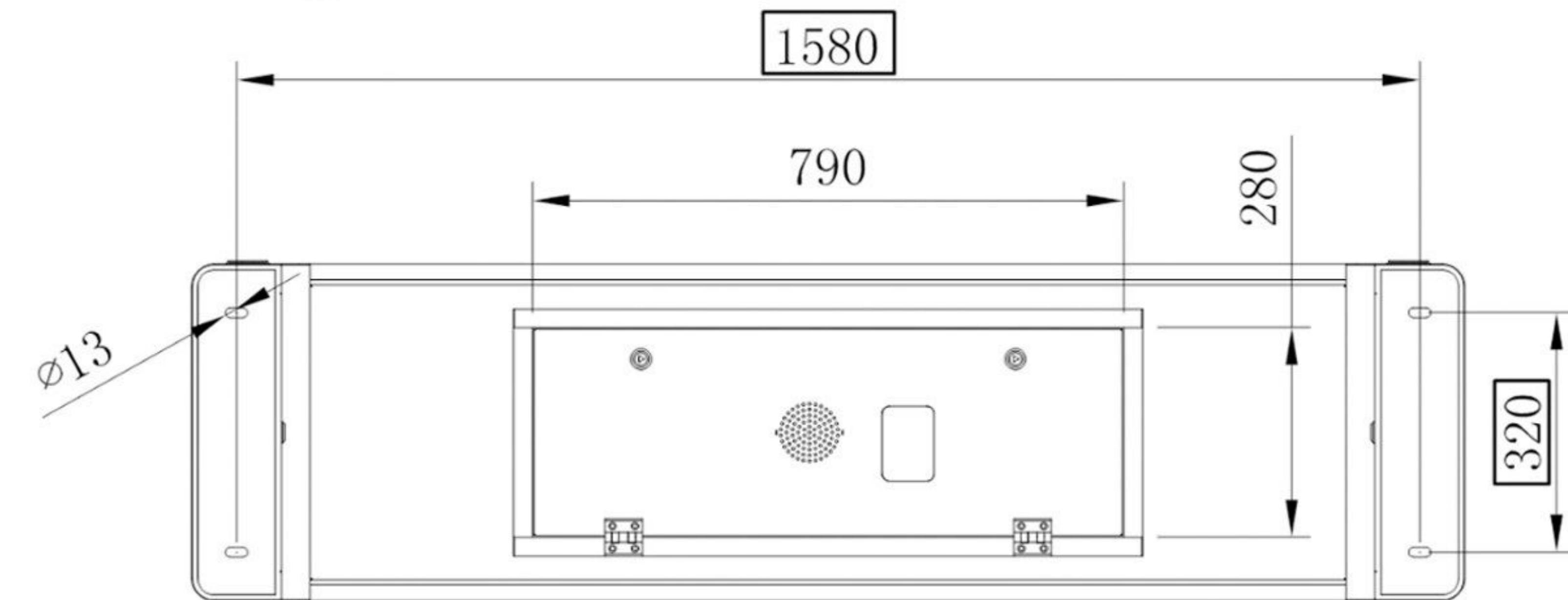
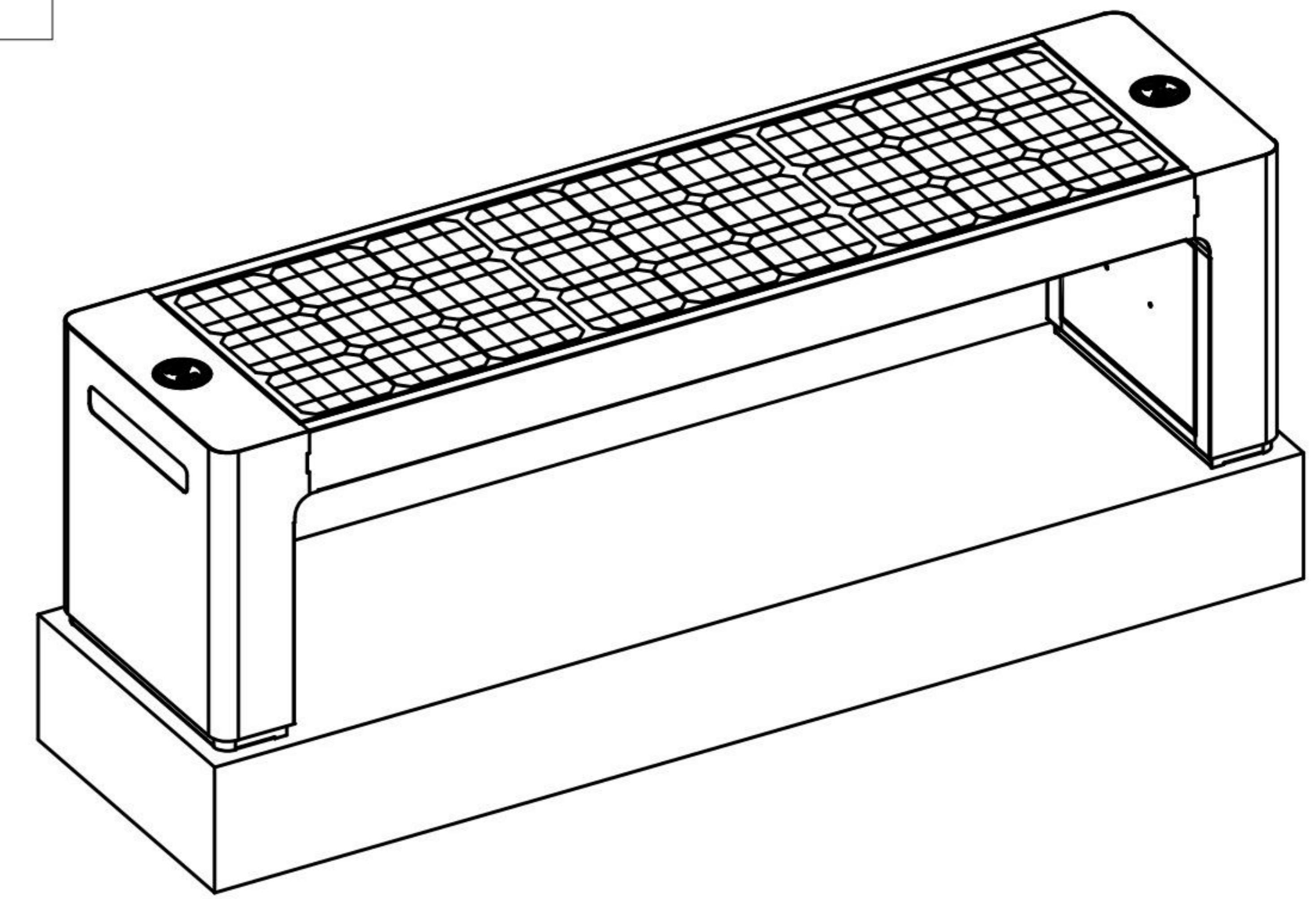


STEP ONE



STEP TWO



Dimensional drawing of concrete anchors to be mounted on the ground

1. Open installation doors (Item 2) on the two bench legs. Select a flat surface for mounting the bench frame (Item 1). Drill holes in mounting base (Item 4) in configuration shown as step 1 to accept concrete anchors (Item 3). Secure expanding concrete anchors fully to holes and secure bench frame to ground using 16mm box end wrench.
2. Align the metal cover (Item 6) with holes to the bottom of bench leg and secure the 4 screws (Item 5) using 3mm hex wrench. Close the two side doors.
3. Open the maintenance door (Item 7), turn on the battery power switch (Item 8) and test all electronic features.
4. Close the maintenance door (Item 7) and complete installation.

Included Fasteners:
M4*10 SS socket head cap screws = 8pcs
M10*120 Concrete anchors = 4pcs

Required Tools:
Hex(Allen) wrench: 3mm
Box end wrench: 16mm
Phillips screw driver

ASSEMBLY LIST

PART	NAME	DIMENSION	QUANTITY
1	Bench frame		1PC
2	Installation door		2PCS
3	Concrete anchor	M10*120MM	4PCS
4	Mounting Base		
5	SS socket head cap screw	M4*10MM	8PCS
6	Metal cover		4PCS
7	Maintenance door		1PC
8	Battery power switch		1PC

WEIYIN
ADLIS

WYC1802 INSTALLATION INSTRUCTION